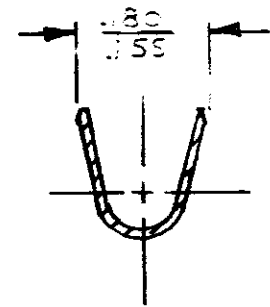
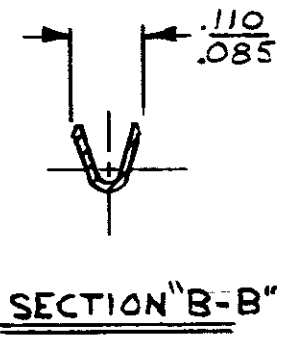
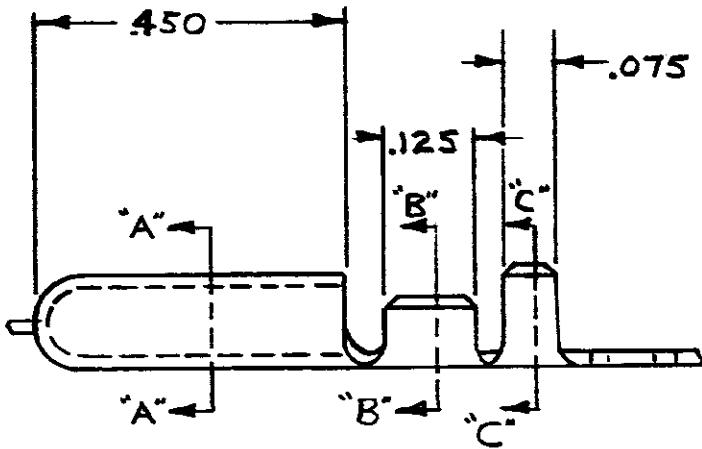
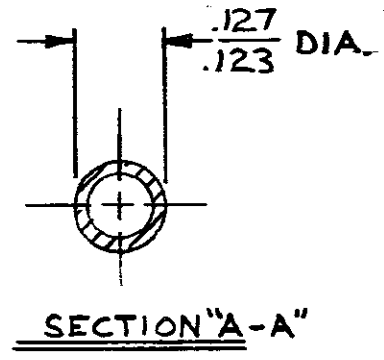
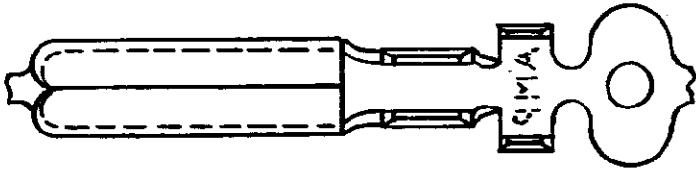


DRAWING MADE IN AMERICAN PROJECTION

NUMBER 62074

U

WAS P72-7244



CONTINUOUS STRIP OF WIRE

PART NUMBER

62074-1

Unpublished drawings are hereby acknowledged without written permission of AMP Incorporated.

©1972 BY AMP INCORPORATED. ALL RIGHTS RESERVED. AMP PRODUCTS COVERED BY PATENTS AND/OR PATENTS PENDING

CUSTOMER COPY REFERENCE ONLY

MATERIAL AND FINISH
.016 BRASS
NONE



AMP INCORPORATED
HARRISBURG, PENNA.

CLASS ——— # ———

WIRE RANGE INSULATION
24-20 1060-.03

TYPE ——— # ———

TOLERANCE EXCEPT AS NOTED
± .015 ± 1° 4-1

LOC AF A NO 62074

REV A

NAME .125 DIA. PIN

APPROVED	DATE	BY	DATE
DR LK ESPENSHADE	8/8/72	DE	
CHK PWS	6-26-72	APP B. OLSSON	6-26-72